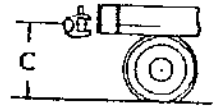
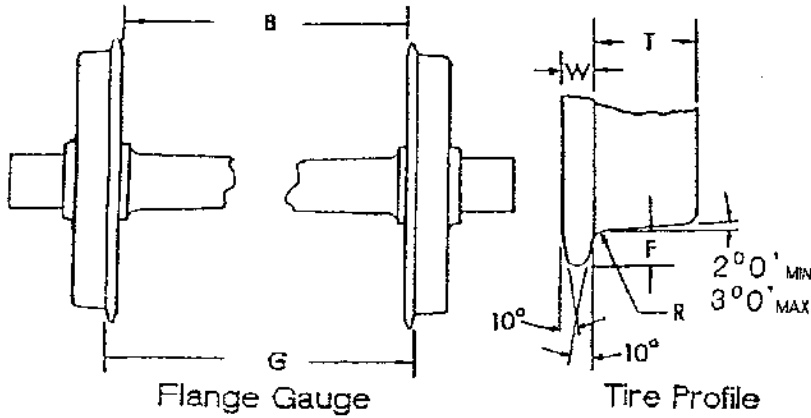


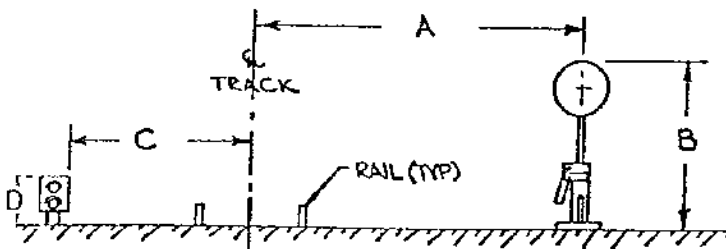
Section 7
STANDARDS
 Revision Adopted April 2001



Coupler Height

RECOMMENDED DIMENSIONS

TRACK SCALE	G	B	T MIN	W MAX	F	R	C
1 1/2"	7.44 ^{+0.00} _{-0.02}	7.12 ^{+0.02} _{-0.00}	.59	.156	.187 MAX	.094 _{±.015}	4.38 _{±.06}

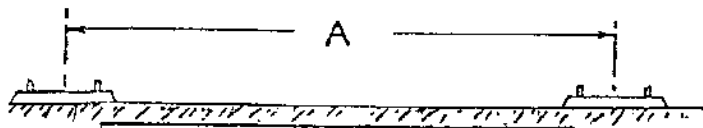


TRACK-SIDE CLEARANCES (inches)

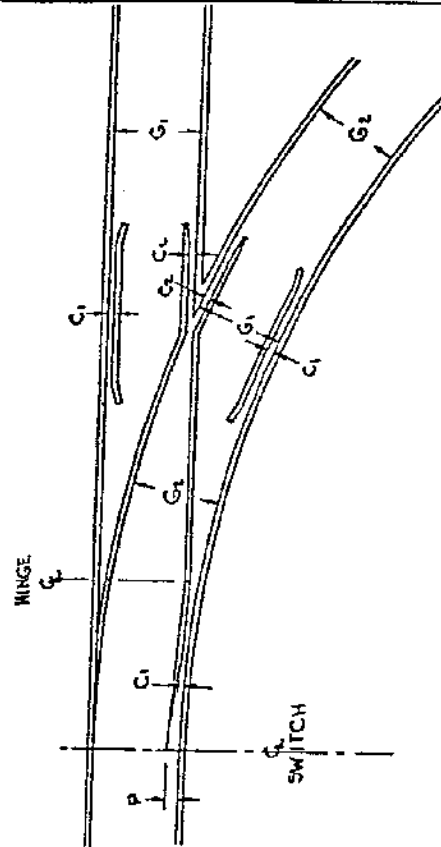
SCALE	A min.	D min.	C min.	D max.
1 1/2"	24.0	10.0	11.5	4.0

NOTE: SIGNAL LIGHT SHOWN FOR DIMENSIONS C & D REPRESENTS ACTUAL HARDWARE. OTHER TYPES OF HARDWARE SUCH AS LOW SWITCH STANDS MAY BE USED AS LONG AS CLEARANCES ARE MAINTAINED.

TRACK SPACING



SCALE	Normal	Minimum
1 1/2" MAINLINE	48"	42"
1 1/2" YARD	Minimum	36"



TURNOUT DIMENSIONS

SCALE	G ₁	G ₂	C ₁	C ₂	P (MIN)
1 1/2"	7.50	7.56	.188	.250	.63